

# SEBASTIAN ENLARGER BOOTH

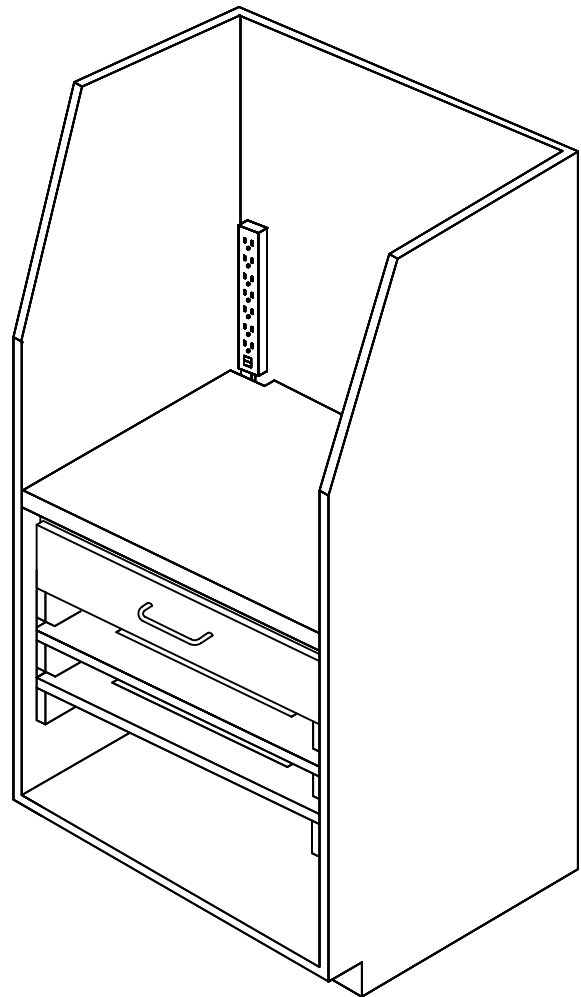
## MODEL: SEB8

THE "SEB8" SEBASTIAN ENLARGER BOOTH IS A FACTORY ASSEMBLED UNIT AND IT IS VERY EASY TO INSTALL. IT CAN BE BUILT INTO OTHER CASEWORK OR USED AS A STAND ALONE UNIT. IT IS AVAILABLE IN FIVE WIDTHS: 30", 33", 36", 39" AND 42". AND IS 72" TALL.

A SWITCHED PLUG STRIP IS POWERED BY AN OUTLET 18" ABOVE THE FLOOR (OUTLET BY OTHERS).

IT IS FINISHED THROUGHOUT WITH WILSON ART #1595-60 "BLACK" LAMINATE.

THE "SEB8" IS EQUIPPED WITH ONE DRAWER, TWO PRINT DRYING SCREENS AND A BASE SHELF.



(SEE PAGE C-28 FOR THE SEBASTIAN "SEB9H" WHEELCHAIR ADA UNIT)

ENLARGER NOT INCLUDED.



**SEBASTIAN DARKROOM PRODUCTS™**  
**DIVISION OF CALIFORNIA STAINLESS MFG.**

Unique, Innovative & Engineered to Work  
**TOLL FREE (888) 712-7035 FAX (805) 484-1030**

**calstainless@aol.com**

**www.sebastiandarkroomprod.com**