

SEBASTIAN ADA ENLARGER BOOTH – SEB9H

THE "SEB9H" SEBASTIAN ENLARGER BOOTH IS A FACTORY ASSEMBLED UNIT AND IT IS VERY EASY TO INSTALL. IT CAN BE BUILT INTO OTHER CASEWORK OR USED AS A STAND ALONE UNIT.

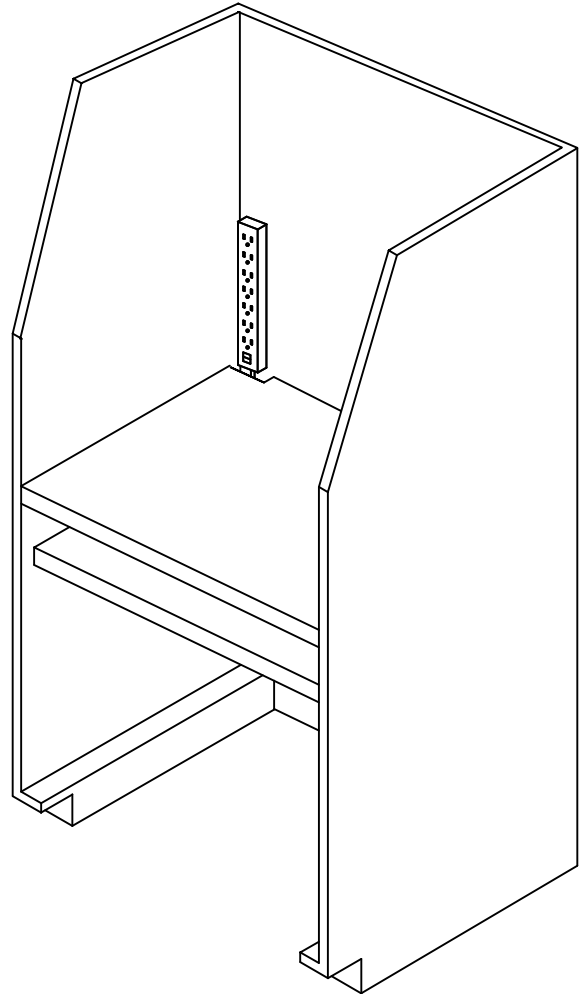
IT IS AVAILABLE IN THREE WIDTHS: 36", 39" AND 42". THE BOOTH IS 72" TALL.

THE "SEB9H" EASEL DECK IS 34" ABOVE THE FLOOR, THE BOTTOM OF THE FIXED SHELF IS 27" ABOVE THE FLOOR. THE OPEN BASE IS 32" WIDE.

A SWITCHED PLUG STRIP IS POWERED BY AN OUTLET 18" ABOVE THE FLOOR (OUTLET BY OTHERS).

IT IS FINISHED THROUGHOUT WITH WILSON ART #1595-60 "BLACK" LAMINATE.

THE "SEB9" IS EQUIPPED WITH ONE FIXED SHELF.



ENLARGER NOT INCLUDED.



SEBASTIAN DARKROOM PRODUCTS™
DIVISION OF CALIFORNIA STAINLESS MFG.

Unique, Innovative & Engineered to Work
TOLL FREE (888) 712-7035 FAX (805) 484-1030
calstainless@aol.com
www.sebastiandarkroomprod.com