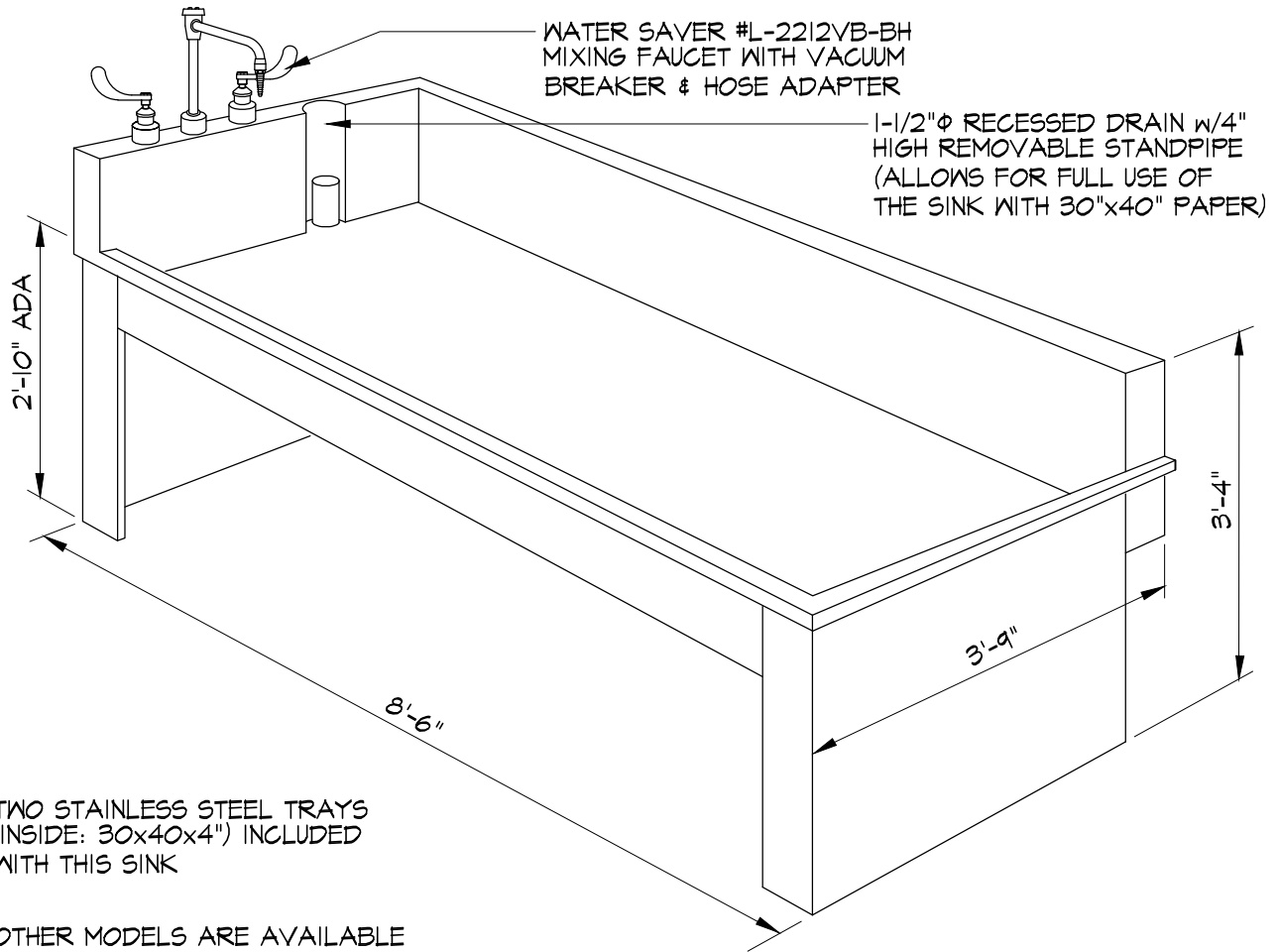


**SEBASTIAN PRINTMAKING EQUIPMENT**  
**SEBASTIAN ADA LITHO**  
**DEVELOPING SINK FOR 26"x36" PLATES**  
**MODEL: SLDS-1024434-RD2T**

SEBASTIAN ADA 16 GA. TYPE 304 STAINLESS STEEL SINK WITH BACKSPLASH, NO. 4 FINISH, 16 GA. REINFORCED STAINLESS STEEL BASE WITH 2x2x3/16" UNDER-SINK ANGLE SUPPORTS, 1/2" THICK SOUND DEADENING MATERIAL AND SINK LEVELING FLOOR PADS. DIMENSIONS: OUTSIDE: 8'-6"x3'-9"x40," INSIDE: 8'-3"x3'-4"x5." HOLDS TWO 30"x40" STAINLESS STEEL TRAYS.



12-1-2014



**SEBASTIAN DARKROOM PRODUCTS™**  
 DIVISION OF CALIFORNIA STAINLESS MFG., INC.  
 UNIQUE, INNOVATIVE & ENGINEERED TO WORK  
 TOLL FREE (888) 712-7035 FAX (805) 484-1030  
 calstainless@aol.com www.sebastiandarkroomprod.com