

SEBASTIAN PRINTMAKING EQUIPMENT

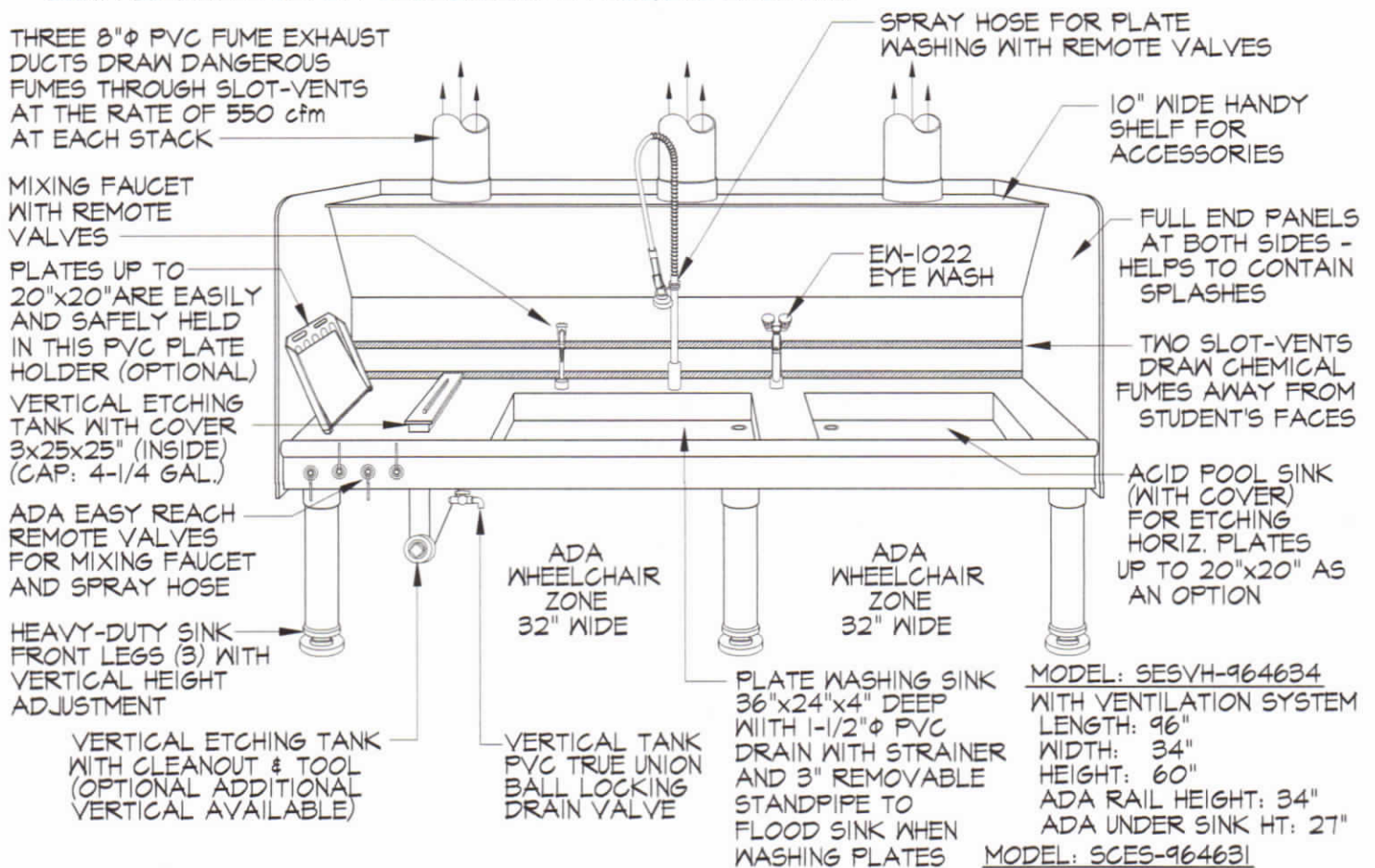
SEBASTIAN ADA PVC COMBO ETCHING STATION WITH SLOT-VENT VENTILATION SYSTEM

FOR VERTICAL AND HORIZONTAL ETCHING

MODEL: SESVH-964634

THIS COMPACT ETCHING STATION PROVIDES A SAFE AND EFFICIENT FACILITY FOR ETCHING 20"x20" PLATES IN A VERTICAL TANK WITH PLATE HOLDER, LARGER PLATES HORIZONALLY IN TRAYS ON A 39"x37" DECK OR 20"x20" PLATES WITH THE "ACID POOL SINK" OPTION.

THE ENTIRE STATION IS CONSTRUCTED OF POLYVINYL CHLORIDE, & IS INERT TO THE ETCHING CHEMICALS (50% MAX NITRIC ACID). PROCESS FUMES ARE EXHAUSTED THROUGH SLOTS-VENTS AT TRAY LEVEL ASSURES A SAFE ENVIRONMENT AND FACILITATES WHEELCHAIR STUDENTS AS WELL. THIS COMBO STATION CAN BE FITTED WITH A FACE/EYE WASH UNIT IF THE ETCHING ROOM IS NOT EQUIPPED WITH A SAFETY SHOWER WITH A FACE/EYE WASH UNIT.



NOTE: THIS COMBINATION ETCHING STATION IS AVAILABLE WITHOUT THE VENTILATION SYSTEM

9-1-2017



SEBASTIAN DARKROOM PRODUCTS™
DIVISION OF CALIFORNIA STAINLESS MFG., INC.

UNIQUE, INNOVATIVE & ENGINEERED TO WORK
TOLL FREE (888) 712-7035 FAX (805) 484-1030
calstainless@aol.com www.sebastiandarkroomprod.com

RM-18