

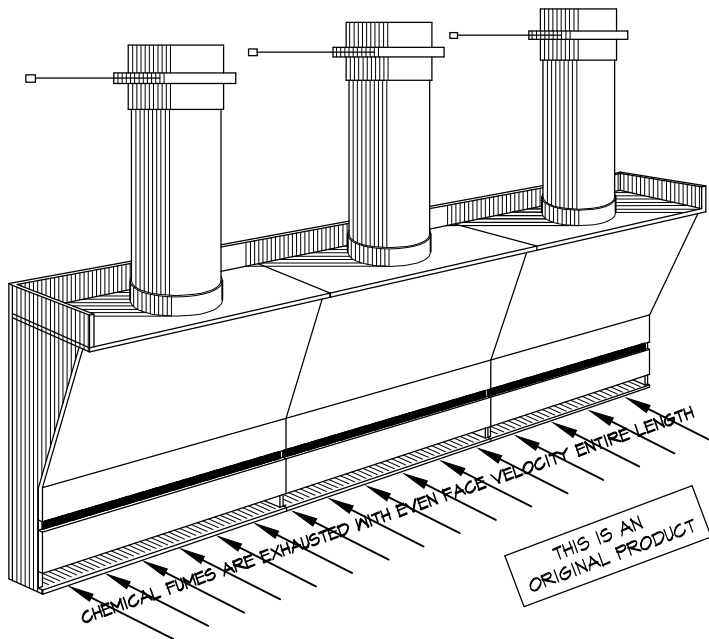
SEBASTIAN PRINTMAKING EQUIPMENT

SEBASTIAN CONTINUOUS SLOT-VENT-HOOD

FUME EXHAUST SLOT-VENTILATION SYSTEM FOR ALL PRINTMAKING OPERATIONS

HIGH VELOCITY SLOT-VENT FUME EXHAUST SYSTEM, THE ULTIMATE METHOD OF WORK BENCH VENTILATION

THIS DESIGN PROVIDES THE ULTIMATE WAY TO EFFICIENTLY REMOVE CHEMICAL FUMES FROM OPEN TRAYS OF CHEMICALS AT TRAY LEVEL AND EVENLY REMOVE FUMES & ODORS.



- MADE OF GRAY PVC PLASTIC FOR WHEN USED AT ETCHING SINKS & TANKS. MADE 16 GA. STAINLESS STEEL WHERE EXCESSIVE HEAT IS GENERATED.
- 8"φ STACKS ARE EQUIPPED WITH 8" SLIDE DAMPERS FOR POST INSTALLATION AIR BALANCING (BY OTHERS). 8"φ STACKS ARE SUPPLIED FOR A 10' CEILING HEIGHT.
- DUCTWORK ABOVE CEILING AND FANS ARE NOT SUPPLIED DUE TO VARIOUS BUILDING CONFIGURATIONS
- DESIGNED BY PHOTOMECHANICAL ENGINEERS AND PRINTMAKING TEACHERS.
- MODULAR DESIGN: PLENUM-SLOT WIDTH IS 30" FOR ALL MODELS.

Cfm REQUIREMENTS FOR VARIOUS WORK BENCH WIDTHS

SLOT-VENT MODEL	OVERALL LENGTH	# OF 8" STACKS	BENCH WIDTH	CFM PER STACK	BENCH WIDTH	CFM PER STACK	BENCH WIDTH	CFM PER STACK
SNSVH-2	60"	2	30"	313	36"	375	42"	438
SNSVH-3	90"	3	30"	313	36"	375	42"	438
SNSVH-4	120"	4	30"	313	36"	375	42"	438
SNSVH-5	150"	5	30"	313	36"	375	42"	438
SNSVH-6	180"	6	30"	313	36"	375	42"	438
SNSVH-7	210"	7	30"	313	36"	375	42"	438

WHEN ORDERING, LIST VENT-HOOD MODEL AND THE LENGTH AND DEPTH OF THE WORK AREA

12-1-2014



SEBASTIAN DARKROOM PRODUCTS™
 DIVISION OF CALIFORNIA STAINLESS MFG., INC.
 UNIQUE, INNOVATIVE & ENGINEERED TO WORK
 TOLL FREE (888) 712-7035 FAX (805) 484-1030
 calstainless@aol.com www.sebastiandarkroomprod.com