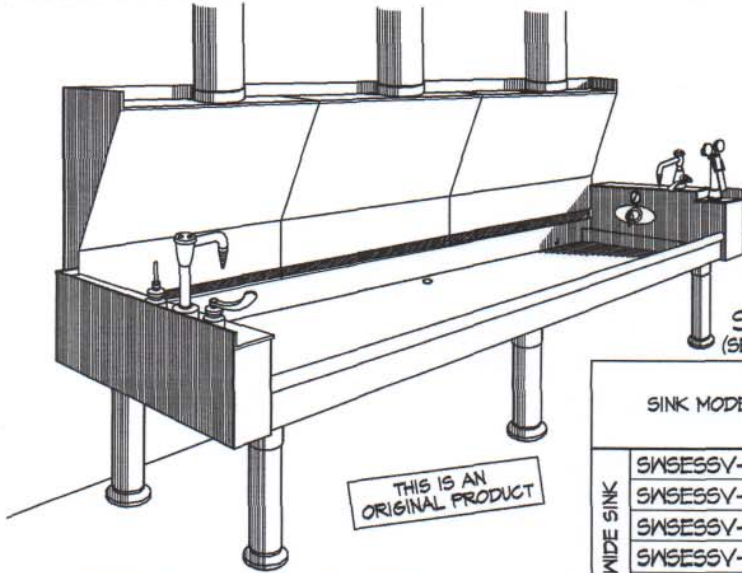


SEBASTIAN SLOT-VENT SINKS

SEBASTIAN PVC ADA SLOT-VENTED DARKROOM WALL SINK

WITH CONTINUOUS TRAY-LEVEL SLOT-VENT FUME EXHAUST

THIS SEBASTIAN DARKROOM WALL SINK IS EQUIPPED WITH THE ULTIMATE CHEMICAL FUME EXHAUST SYSTEM. AT TRAY-LEVEL, FUMES ARE DRAWN THROUGH CONTINUOUS SLOTS AND EVACUATED THROUGH AN EXTERNAL DUCT SYSTEM (BY OTHERS). THIS "SWSESSV" SLOT-VENTED SINK IS CONSTRUCTED OF PVC PLASTIC, INERT TO ALL DARKROOM CHEMICALS AND IS OFFERED IN 18 SIZES (SEE CHART BELOW). ALL EXHAUST STACKS ARE 8"φ PVC FUME DUCT WITH SLIDE DAMPERS PROVIDING FOR POST INSTALLATION AIR BALANCING (BY OTHERS).



THIS IS AN ORIGINAL PRODUCT

STANDARD FEATURES

- 1-1/2" PVC DRAIN WITH STRAINER
- SLIDE DAMPERS ON EACH STACK
- "SPENT-FIX" DUMP TROUGH(S) WITH PVC STRAINER AND PVC CAP
- REMOVABLE SERVICE PANELS TO SERVICE PLUMBING FIXTURES
- HEAVY DUTY PVC LEVELING LEGS

SLOT-VENT WALL SINK DATA

(SEE CAT PG #2-7 FOR SINK WITHOUT SLOT-VENT SYS)

	SINK MODEL #	STACKS	cfm REQ'D EACH STACK	cfm REQ'D ENTIRE SINK	OVERALL SIZE OF SINK	USEABLE SINK AREA
34" WIDE SINK	SWSESSV-7234	2	271	542	72"x34"	60"x26"
	SWSESSV-10234	3	271	813	102"x34"	90"x26"
	SWSESSV-13234	4	271	1,084	132"x34"	120"x26"
	SWSESSV-16234	5	271	1,355	162"x34"	150"x26"
	SWSESSV-19234	6	271	1,626	192"x34"	180"x26"
	SWSESSV-22234	7	271	1,897	222"x34"	210"x26"
	40" WIDE SINK	SWSESSV-7240	2	333	666	72"x40"
SWSESSV-10240		3	333	999	102"x40"	90"x32"
SWSESSV-13240		4	333	1,332	132"x40"	120"x32"
SWSESSV-16240		5	333	1,665	162"x40"	150"x32"
SWSESSV-19240		6	333	1,998	192"x40"	180"x32"
SWSESSV-22240		7	333	2,331	222"x40"	210"x32"
47" WIDE SINK		SWSESSV-7247	2	406	812	72"x47"
	SWSESSV-10247	3	406	1,218	102"x47"	90"x39"
	SWSESSV-13247	4	406	1,624	132"x47"	120"x39"
	SWSESSV-16247	5	406	2,030	162"x47"	150"x39"
	SWSESSV-19247	6	406	2,436	192"x47"	180"x39"
	SWSESSV-22247	7	406	2,842	222"x47"	210"x39"

OPTIONAL FEATURES

- EMERGENCY EYE-WASH UNITS
- INCOMING WATER FILTER PANEL
- DILUTION/NEUTRALIZATION TANK
- LABORATORY GRADE FAUCETS WITH 4" WRIST-BLADE HANDLES
- FOTOGUARD TEMP BLENDER WITH 3" DIAL THERMOMETER
- SILVER RECOVERY SYSTEM
- INCOMING WATER CHILLER

(SEE CATALOG PAGES #2-20 & 2-21 FOR ADDITIONAL PLUMBING FIXTURES)

DO NOT USE SOLVENTS IN PVC SINKS



SEBASTIAN DARKROOM PRODUCTS™

DIVISION OF CALIFORNIA STAINLESS MFG.

Unique, Innovative & Engineered to Work
TOLL FREE (888) 712-7035 FAX (805) 484-1030

calstainless@aol.com

www.sebastiandarkroomprod.com