

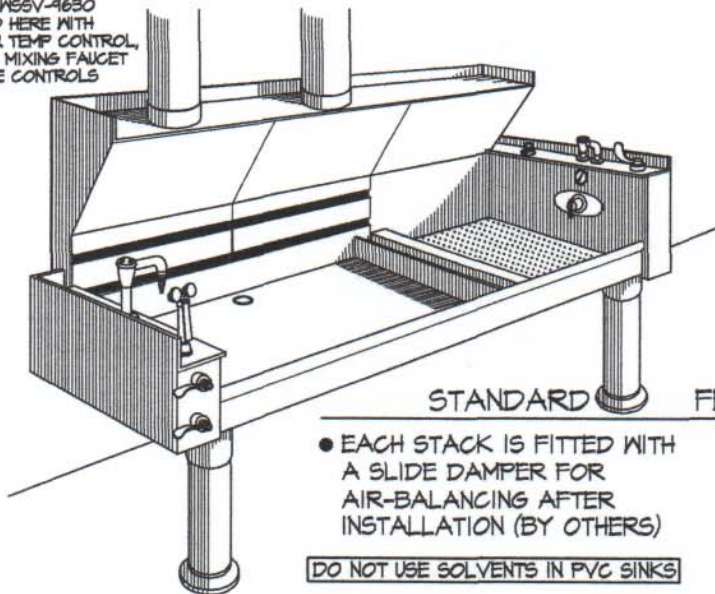
SEBASTIAN SLOT-VENT SINKS

SEBASTIAN PVC ADA COMBO SLOT-VENTED WALL SINK & WASHER

CONTINUOUS SLOT-VENT HOOD & EASY-REACH CONTROLS

THE MODEL: SACWS SINK IS A COMBINATION WALL SINK FOR FILM AND PRINT PROCESSING. DESIGNED TO COMPLY WITH ADA GUIDELINES, THIS SINK SERVES BOTH STANDARD AND WHEELCHAIR STUDENTS. THE EASY-TO-REACH CONTROLS ARE VERY HELPFUL FOR THE PHYSICALLY IMPAIRED. THE SINK IS MADE ENTIRELY OF PVC PLATE AND PIPE AND IS INERT TO ALL DARKROOM CHEMICALS. THE FAUCETS AND CONTROLS ARE LABORATORY GRADE WITH WRIST BLADE HANDLES. CHEMICAL FUMES ARE EXHAUSTED AT TRAY LEVEL AND AT THE SAME VELOCITY ENTIRE LENGTH OF THE SINK. A PERFORATED BOTTOM PLATE IN LAMINAR-FLOW PRINT WASHER ASSURES THOROUGH PRINT WASHING AND ELIMINATES DRAIN BLOCKAGE BY PRINTS.

MODEL: SACWSSV-4630
ILLUSTRATED HERE WITH
WASH WATER TEMP CONTROL,
EYE-WASH & MIXING FAUCET
WITH REMOTE CONTROLS



OPTIONAL FEATURES:

- CPAC E106XT+2BM AUTOMATIC SILVER RECOVERY SYSTEM
- 6 GALLON DILUTION-NEUTRALIZATION TANK
- ER-32 AIR COOLED OR TR-32W WATER COOLED INCOMING WATER CHILLER
- SWFP-2 WATER FILTER PANEL - 20 MICRONS 3/4" NPT STOPS AND UNIONS

STANDARD FEATURES

- EACH STACK IS FITTED WITH A SLIDE DAMPER FOR AIR-BALANCING AFTER INSTALLATION (BY OTHERS)
- TEMPERATURE BLENDED PRINT WASH WATER.
- DUMP-TROUGH CONDUCTS SPENT-FIX TO OPTIONAL SILVER RECOVERY SYSTEM

DO NOT USE SOLVENTS IN PVC SINKS

MODEL: SACWSSV-9630

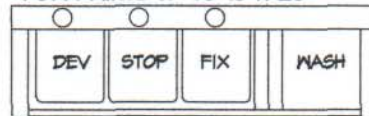
ALL FEATURES SHOWN ARE STANDARD
OVERALL: 96" L x 30" W x 5" D
TWO 8" Ø FUME EXHAUST STACKS
230 cfm REQUIRED PER STACK
460 TOTAL cfm REQ'D FOR SINK
FOR PRINTS UP TO 11x14"



PLAN VIEW

MODEL: SACWSSV-13236

ALL FEATURES SHOWN ARE STANDARD
OVERALL: 132" L x 36" W x 5" D
THREE 8" Ø PVC EXHAUST STACKS
293 cfm REQUIRED PER STACK
879 TOTAL cfm REQ'D FOR SINK
FOR PRINTS UP TO 16 x 20"



PLAN VIEW

8-17-12



SEBASTIAN DARKROOM PRODUCTS™

DIVISION OF CALIFORNIA STAINLESS MFG., INC.

UNIQUE, INNOVATIVE & ENGINEERED TO WORK
TOLL FREE (888) 712-7035 FAX (805) 484-1030

calstainless@aol.com www.sebastiandarkroomprod.com