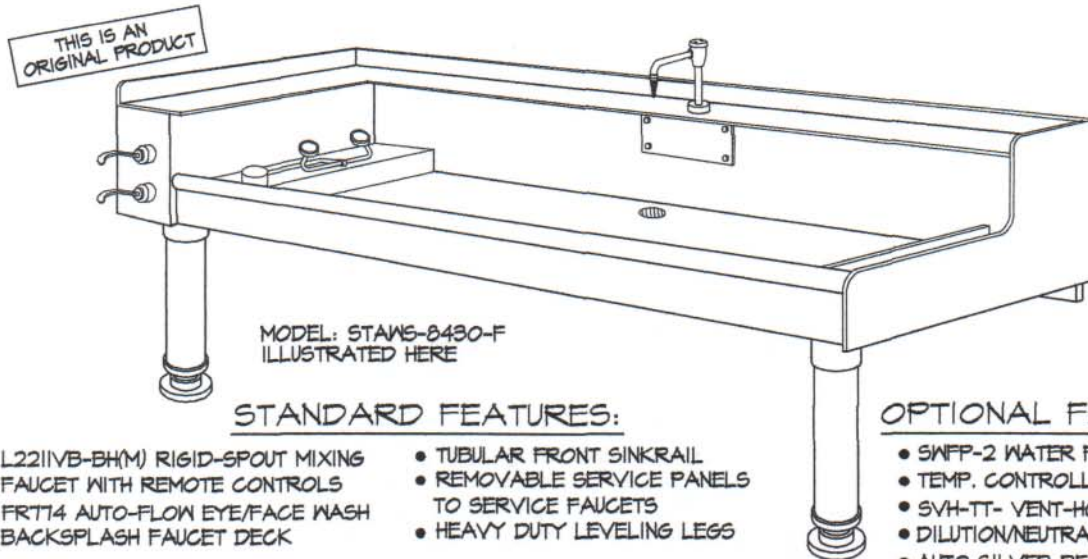


SEBASTIAN DARKROOM SINKS

SEBASTIAN PVC TRU-ADA PHOTO DARKROOM WALL SINK

MODEL: "STAWS" SINK WITH AUTO-FLOW EYE/FACE WASH UNIT AND WITH MIXING FAUCET WITH REMOTE VALVES

CONSTRUCTED ENTIRELY OF GRAY PVC, INERT TO ALL PHOTO CHEMISTRY, THESE SINKS ARE BUILT IN MANY SIZES TO MEET ANY REQUIREMENT. THE SEBASTIAN TRU-ADA FILM PROCESSING SINKS ARE DESIGNED TO BE IN TOTAL COMPLIANCE WITH "AMERICANS WITH DISABILITIES ACT" AND OTHER CODES WHEN INSTALLED WITH A SEBASTIAN SVH-TT CANOPY EXHAUST HOOD. THESE SINKS PROVIDE A SUPERB FACILITY FOR STUDENTS TO PROCESS FILM SAFELY AND QUICKLY, EVEN IN A WHEELCHAIR. CHART BELOW MAY SUGGEST A SIZE YOU NEED:



STANDARD FEATURES:

- L2211VB-BH(M) RIGID-SPOUT MIXING FAUCET WITH REMOTE CONTROLS
- FR714 AUTO-FLOW EYE/FACE WASH
- BACKSPASH FAUCET DECK
- TUBULAR FRONT SINKRAIL
- REMOVABLE SERVICE PANELS TO SERVICE FAUCETS
- HEAVY DUTY LEVELING LEGS

OPTIONAL FEATURES:

- SWFF-2 WATER FILTER PANEL
- TEMP. CONTROLLED WASH STATION
- SVH-TT- VENT-HOOD SHELF UNIT
- DILUTION/NEUTRALIZATION TANK
- AUTO SILVER RECOVERY SYSTEM (SEE CATALOG PAGE 2-21)

MODEL	OVERALL		INTERIOR SINK SPACE	FRONT LEGS	DUMP TROUGH	*SUGGESTED VENT-HOOD
	LENGTH	WIDTH				
STAWS-7230-F	6'-0"	30"	48"x21"x5"	2	1	SVH-TT-72
STAWS-8430-F	7'-0"	30"	60"x21"x5"	2	1	SVH-TT-84
STAWS-9630-F	8'-0"	30"	72"x21"x5"	3	1	SVH-TT-96
STAWS-10730-F	9'-0"	30"	84"x21"x5"	3	1	SVH-TT-108
STAWS-12030-F	10'-0"	30"	96"x21"x5"	3	1	SVH-TT-120

*VENT-HOODS ARE NOT INCLUDED WITH SINKS, ORDER SEPARATELY (SEE CAT. PG. 1-2)

2-4-2015



SEBASTIAN DARKROOM PRODUCTS™ DIVISION OF CALIFORNIA STAINLESS MFG., INC.

UNIQUE, INNOVATIVE & ENGINEERED TO WORK
TOLL FREE (888) 712-7035 FAX (805) 484-1030
calstainless@aol.com www.sebastiandarkroomprod.com

DO NOT USE SOLVENTS IN PVC SINKS