

SEBASTIAN PRINT WASHERS

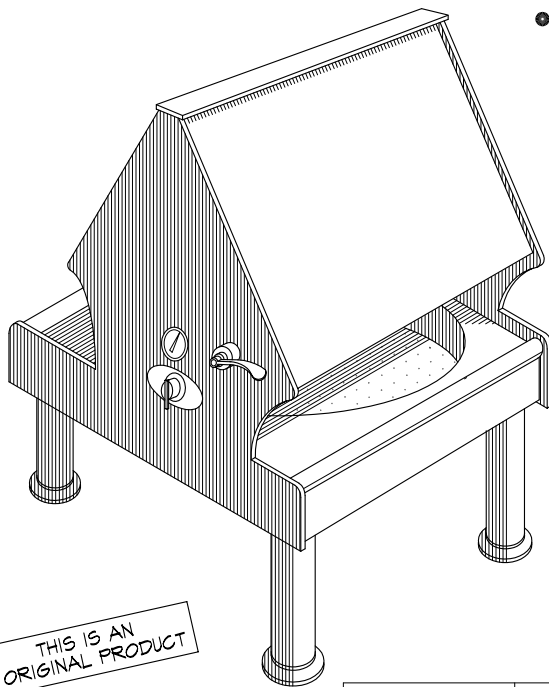
ADA PVC CIRCULAR PRINT WASHERS WITH DUAL SQUEEGEE BOARDS & TEMP BLENDER

SEBASTIAN CIRCULAR PRINT WASHERS PROVIDE THOROUGH PRINT WASHING FOR STUDENTS WHO HAVE A LIMITED TIME TO PRODUCE QUALITY PRINTS. TEMPERATURE BLENDED WATER IS SUPPLIED TO UNDERWATER JETS TO PRODUCE A GENTLE, CIRCULAR WASHING ACTION WHILE DRAINING AWAY CHEMICALS THROUGH A PERFORATED BOTTOM PLATE.

THIS TYPE OF WASHER WITH DUAL SQUEEGEE BOARDS IS DESIGNED TO BE POSITIONED AT THE END OF A WALK-AROUND SINK & BE ACCESSABLE TO STUDENTS ON BOTH SIDES. IT IS, HOWEVER, MORE DIFFICULT TO RETRIEVE PRINTS THAN A SINGLE SQUEEGEE SET-UP.

STANDARD FEATURES

- HEAVY DUTY GRAY PVC CONSTRUCTION WITH RECESSED DECK - KEEPS FLOORS DRY
- WATER TEMPERATURE BLENDING PROVIDES REGULATED WASH WATER TEMPERATURE
- UNDERWATER JETS MOVE PRINTS IN A CIRCULAR MOTION FOR A THOROUGH WASH
 - PG-4100063 PRESSURE BALANCER GUARDS AGAINST TEMPERATURE SHIFTS
 - WATER LEVEL CONTROLLED BY A QUICK-DUMP CONTROL
 - EXCESS WATER FROM SQUEEGEE BOARD DRAINS INTO WASH WATER BELOW
 - PERFORATED BOTTOM KEEPS PRINTS FROM SEALING OFF DRAIN - FIXER IS QUICKLY DRAINED AWAY
- HEAVY DUTY PVC TUBULAR LEVELING LEGS ARE STANDARD AND ADA COMPLIANT



MODEL #	MAX. PRINT	BOWL DIAM.	SQUEEGEE BD SIZE	OVERALL SIZE LWH	WASH WATER CAPACITY
SCPWDS-27	16x20"	27"	24x30"	30x36x72"	8 GALLONS
SCPWDS-33	20x24"	33"	32x31"	39x42x72"	14 GALLONS
SCPWDS-44	30x30"	44"	42x30"	51x51x72"	22 GALLONS

IMPORTANT NOTE: 45 PSI MINIMUM STATIC PRESSURE REQUIRED



SEBASTIAN DARKROOM PRODUCTS™ *DIVISION OF CALIFORNIA STAINLESS MFG.*

Unique, Innovative & Engineered to Work
TOLL FREE (888) 712-7035 FAX (805) 484-1030
calstainless@aol.com
www.sebastiandarkroomprod.com