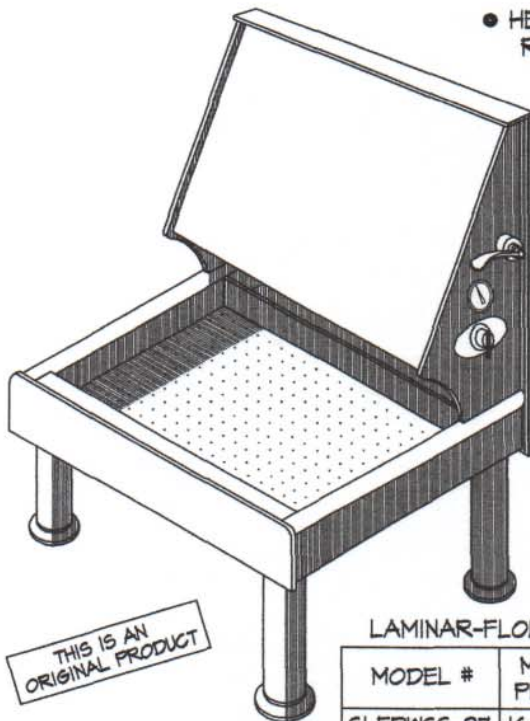


## SEBASTIAN PRINT WASHERS

### ADA PVC PRINT WASHER WITH LAMINAR-FLOW, SINGLE SQUEEGEE BOARD AND WASH WATER TEMPERATURE CONTROL

SEBASTIAN LAMINAR-FLOW PRINT WASHERS PROVIDE THOROUGH PRINT WASHING FOR STUDENTS WHO HAVE A LIMITED TIME TO PRODUCE QUALITY PRINTS. PRINTS ARE THOROUGHLY WASHED BY UNDERWATER JETS OF TEMPERED WATER WHILE CHEMICALS ARE DRAINED AWAY THROUGH A PERFORATED BOTTOM DRAIN PLATE. LARGER PRINTS CAN BE WASHED IN A LAMINAR-FLOW WASHER THAN THE SAME OVERALL SIZE CIRCULAR WASHER. THIS PRODUCT IS MADE ENTIRELY OF PVC WHICH IS INERT TO ALL DARKROOM CHEMICALS.

#### STANDARD FEATURES



- HEAVY DUTY GRAY PVC CONSTRUCTION WITH RECESSED DECK - (ELIMINATES SPILLS)
- WATER TEMP BLENDING PROVIDES REGULATED WASH WATER TEMP
- UNDERWATER WATER-SUPPLY JETS PROVIDE A THOROUGH WASHING
- WATER LEVEL MAINTAINED BY A QUICK-DUMP CONTROL
- EXCESS WATER FROM SQUEEGEE DRAINS BACK INTO WASHER
- PERFORATED BOTTOM PLATE DRAINS AWAY CHEMICALS FROM WASH-WATER
- HEAVY DUTY PVC TUBULAR LEGS PROVIDES EASY LEVELING & ASSURED ADA COMPLIANCE

LAMINAR-FLOW PRINT WASHERS WITH SQUEEGEE BOARD

MODEL #	MAX . PRINT	BATH SIZE	SQUEEGEE BD SIZE	OVERALL SIZE LWH	CAP. GAL.
SLFPWSS-27	16x20"	24x24"	24x42"	36x57x72"	16
SLFPWSS-33	28x30"	32x32"	32x31"	42x38x72"	25
SLFPWSS-44	42x36"	45x36"	42x31"	51x51x72"	45

IMPORTANT NOTE: 45 PSI MINIMUM STATIC WATER PRESSURE REQUIRED

8-5-12



**SEBASTIAN DARKROOM PRODUCTS™**

DIVISION OF CALIFORNIA STAINLESS MFG., INC.

UNIQUE, INNOVATIVE & ENGINEERED TO WORK

TOLL FREE (888) 712-7035 FAX (805) 484-1030

calstainless@aol.com www.sebastiandarkroomprod.com