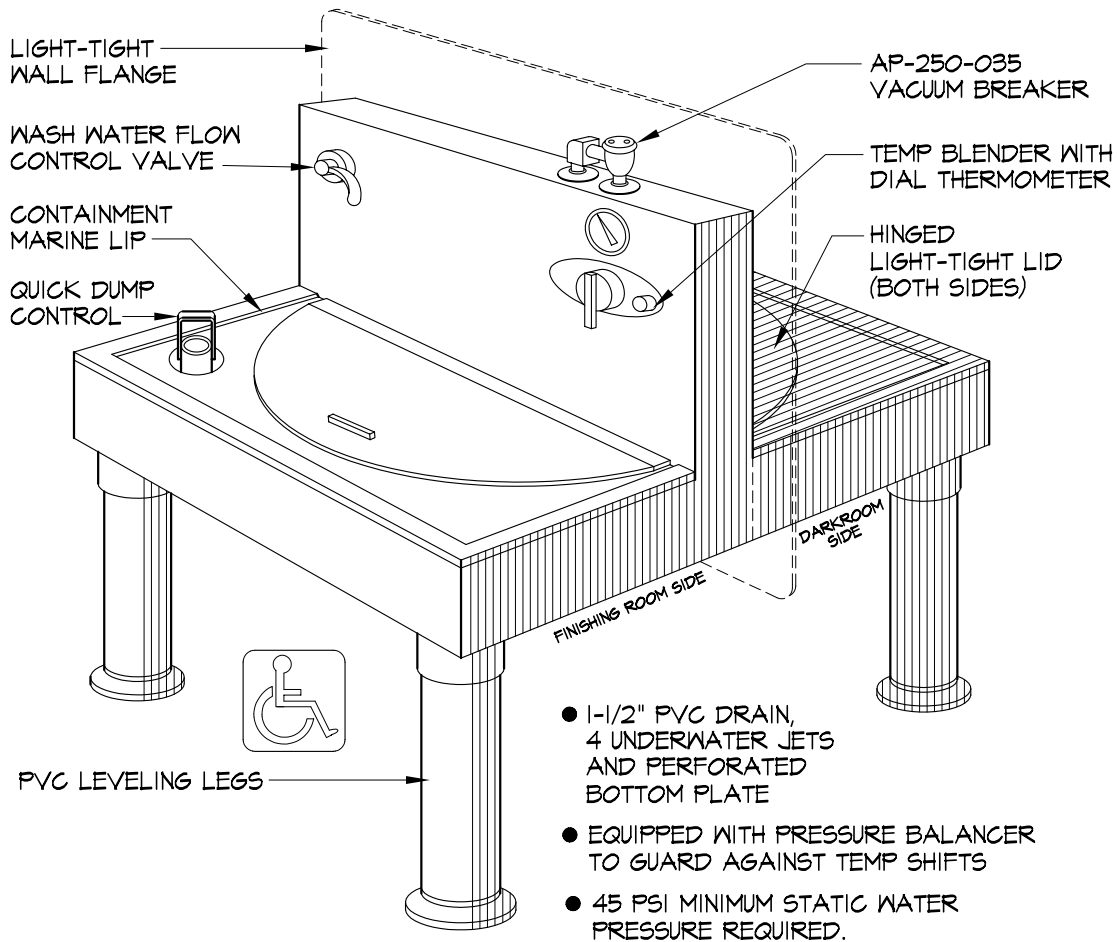


SEBASTIAN PRINT WASHERS

SEBASTIAN ADA PVC PASS-THRU CIRCULAR PRINT WASHER

WITH TEMPERATURE BLENDER - MODEL: SPTCPW-33

THIS PRINT WASHER EXTENDS THROUGH A WALL BETWEEN THE PRINT PROCESS ROOM AND THE FINISHING ROOM & HAS A LIGHT SEAL FLANGE. A TEMPERATURE BLENDER IS MOUNTED ON THE BACK SPLASH PANEL ON THE FINISHING ROOM SIDE. A VACUUM BREAKER PREVENTS BACK FLOW. AN L-2200 VALVE CONTROLS THE VOLUME OF WASH WATER NEEDED. IT IS MADE ENTIRELY OF PVC PLASTIC, INERT TO ALL DARKROOM CHEMICALS. THE 33" DIAMETER BOWL IS LARGE ENOUGH TO WASH A 20'x24" PRINT. CAUTION MUST BE PRACTICED NOT TO OPEN BOTH LIGHT TIGHT COVERS AT THE SAME TIME SO THAT WHITE LIGHT IS CONTROLLED. THE OVERALL SIZE OF THE WASHER IS 42" WIDE x 42" LONG.



SEBASTIAN DARKROOM PRODUCTS™ DIVISION OF CALIFORNIA STAINLESS MFG.

Unique, Innovative & Engineered to Work
TOLL FREE (888) 712-7035 FAX (805) 484-1030

calstainless@aol.com

www.sebastiandarkroomprod.com