

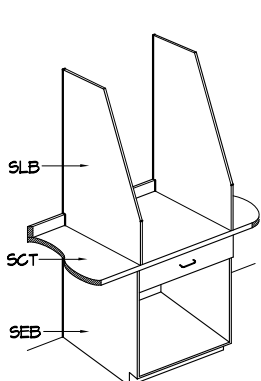
SEBASTIAN CASEWORK

SEBASTIAN DARKROOM CASEWORK

DESIGNS FOR "IN-LINE" SEBASTIAN PHOTO DARKROOM ENLARGER STATIONS USING SPECIFIC BASE CABINETS

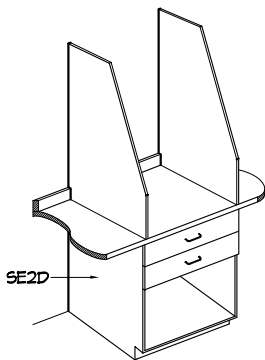
IN A GROUP ("GANG") DARKROOM, EACH STUDENT NEEDS HIS/HER OWN PLACE TO ENLARGE NEGATIVES; HENCE, THE SEBASTIAN ENLARGER STATION. ILLUSTRATED BELOW ARE SEVEN POPULAR STATIONS THAT PROVIDE VARIOUS FEATURES THAT ENHANCE TEACHING AND LEARNING THE ART OF MAKING QUALITY PHOTOGRAPHS IN MINIMUM TIME.

THESE ENLARGER STATIONS ARE AVAILABLE IN WIDTHS OF 30" 36" 39" & 42" AND DEPTHS OF 25" & 30." STANDARD COUNTER TOP HEIGHT IS 36." LIGHT BAFFLES ARE 48" HIGH.



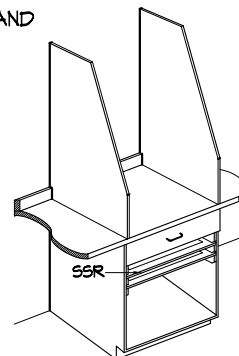
DESIGN-A & AA

DESIGN "A" IS THE "SEB" ENLARGER BASE CABINET WITH ONE 6" DRAWER. DESIGN "AA" IS THE SAME BUT WITH TWO DRAWERS. LIGHT BAFFLES ON AN "SCT" COUNTER TOP COMPLETES DESIGNS "A" & "AA."



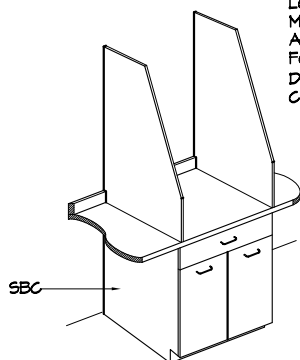
DESIGN-B

THE "SEE" ENLARGER BASE CABINET PROVIDES A 6" DRAWER, AN "SCT" SHELF BELOW FOR EASELS & PAPER BOXES AND A BOOK BAG SHELF BELOW. "SLB" LIGHT BAFFLES ON AN "SCT" COUNTER TOP COMPLETES DESIGN "B."



DESIGN-C

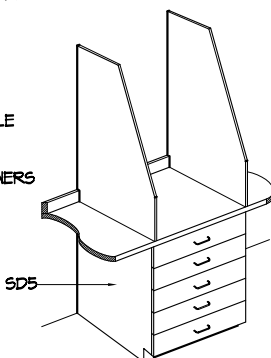
THE "SES" ENLARGER BASE CABINET PROVIDES A 6" UTILITY DRAWER, 2 SLIDE-OUT PRINT DRYING SCREENS AND A BOOK-BAG SHELF BELOW. "SLB" LIGHT BAFFLES ON AN "SCT" COUNTER TOP COMPLETES DESIGN "C."



DESIGN-D

THE "SBC" ENLARGER BASE CABINET PROVIDES A 6" UTILITY DRAWER AND WITH AN ADJUSTABLE SHELF BELOW WITH CABINET DOORS. "SLB" LIGHT BAFFLES ON AN "SCT" COUNTER TOP COMPLETES DESIGN "D."

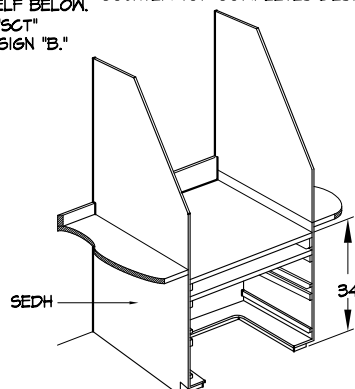
LOCKS WITH MASTER KEY ARE AVAILABLE FOR ALL DRAWERS & CABINET DRAWERS



DESIGN-E

THE "SD5" ENLARGER BASE CABINET PROVIDES 5 UTILITY DRAWERS. "SLB" LIGHT BAFFLES ON AN "SCT" COUNTER TOP COMPLETES DESIGN "E." (THIS DESIGN PROVIDES PRIVATE DRAWERS FOR STUDENTS FROM 5 DIFFERENT CLASSES.)

A "SRVA-106-57" SAFE VIEW LIGHT IS AVAILABLE FOR ALL DESIGNS.



ADA DESIGN-F

THE "SEDH" BASE CABINET IS DESIGNED FOR A WHEELCHAIR STUDENT WHILE PROVIDING A "DROP-EASEL" ENLARGER WORK STATION FOR REGULAR STUDENTS. THE EASEL BOARD AND SHELF ARE REMOVABLE PROVIDING MAXIMUM ENLARGEMENT. "SLB" LIGHT BAFFLES ON AN "SCT" COUNTER TOP COMPLETES DESIGN "F." THIS ADA ENLARGER STATION AVAILABLE IN WIDTHS: 36" 39" & 42." 30" DEEP. DECK HEIGHT: 34" ABOVE FLOOR.



SEBASTIAN DARKROOM PRODUCTS™ DIVISION OF CALIFORNIA STAINLESS MFG.

Unique, Innovative & Engineered to Work
TOLL FREE (888) 712-7035 FAX (805) 484-1030
calstainless@aol.com
www.sebastiandarkroomprod.com